

# Cal. NH36A

$\phi$  27.40 mm  
( $\phi$  29.36 mm with Dial Holding Spacer)

H 5.32 mm

Item	Version No.
Specification	Version 2
Appearance - 1	Version 1
Appearance - 2	Version 1
Casing	Version 1
Hand Fitting	Version 1
Hand Setting Stem	Version 1
Dial	Version 2
Assembly Plan	Version 1
Hands	Version 1



## MOVEMENT SPECIFICATION

### CAL.NH36A 12 Ligne Mechanical Movement Three Hands with Day & Date

#### 1. MOVEMENT DIMENSIONS

- Outside diameter  $\phi$  27.40 mm
- Casing diameter  $\phi$  29.36 mm (with dial holding spacer)
- Total height 5.32 mm

#### 2. FUNCTIONS

- Winding mechanism  
Manual winding  
Automatic winding with ball bearing  
Both winding with one way clutch
- Additional function  
Day & date display with quick day & date correction,  
second hand reset
- Jewels  
24 jewels
- Accuracy  
-20 ~ +40 seconds per day ( $23^{\circ}\pm 2^{\circ}\text{C}$ )
- Shock resistance  
Shock-absorber device for balance staff
- Vibration frequency  
6 vibrations per second (21,600 vibrations per hour)
- Duration time  
More than 41 hours
- Regulation hands unbalance  
Hour : Less than 1.50  $\mu\text{N}\cdot\text{m}$  ( 150 mg $\cdot\text{mm}$  )  
Minute : Less than 1.25  $\mu\text{N}\cdot\text{m}$  ( 125 mg $\cdot\text{mm}$  )  
Second : Less than 0.20  $\mu\text{N}\cdot\text{m}$  ( 20 mg $\cdot\text{mm}$  )  
DC :  $\geq 4800$  A / m
- Antimagnetic

#### 3. HANDLING AND CORRECTIONS

- 1) Crown at normal position  
Clockwise : Manual winding  
Counterclockwise : Free
- 2) Crown pulled out to 1st click  
Clockwise : Quick day correction  
Counterclockwise : Quick date correction
- 3) Crown pulled out to 2nd click  
Time setting, second hand reset

#### 4. DIAL FIXED METHOD

The dial is fixed by two dial leg holes of dial holding spacer

#### 5. TEST OF ACCURACY

- Equipment to be used  
Witschi WATCH EXPERT
- Duration of measurement  
20 seconds

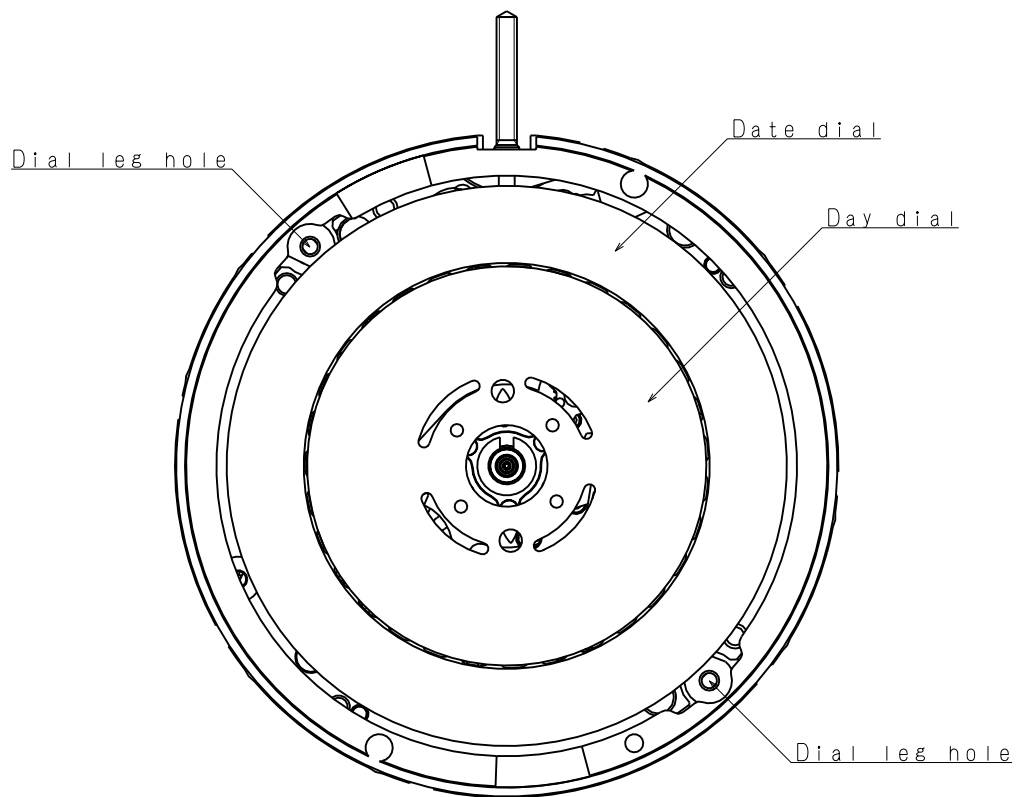
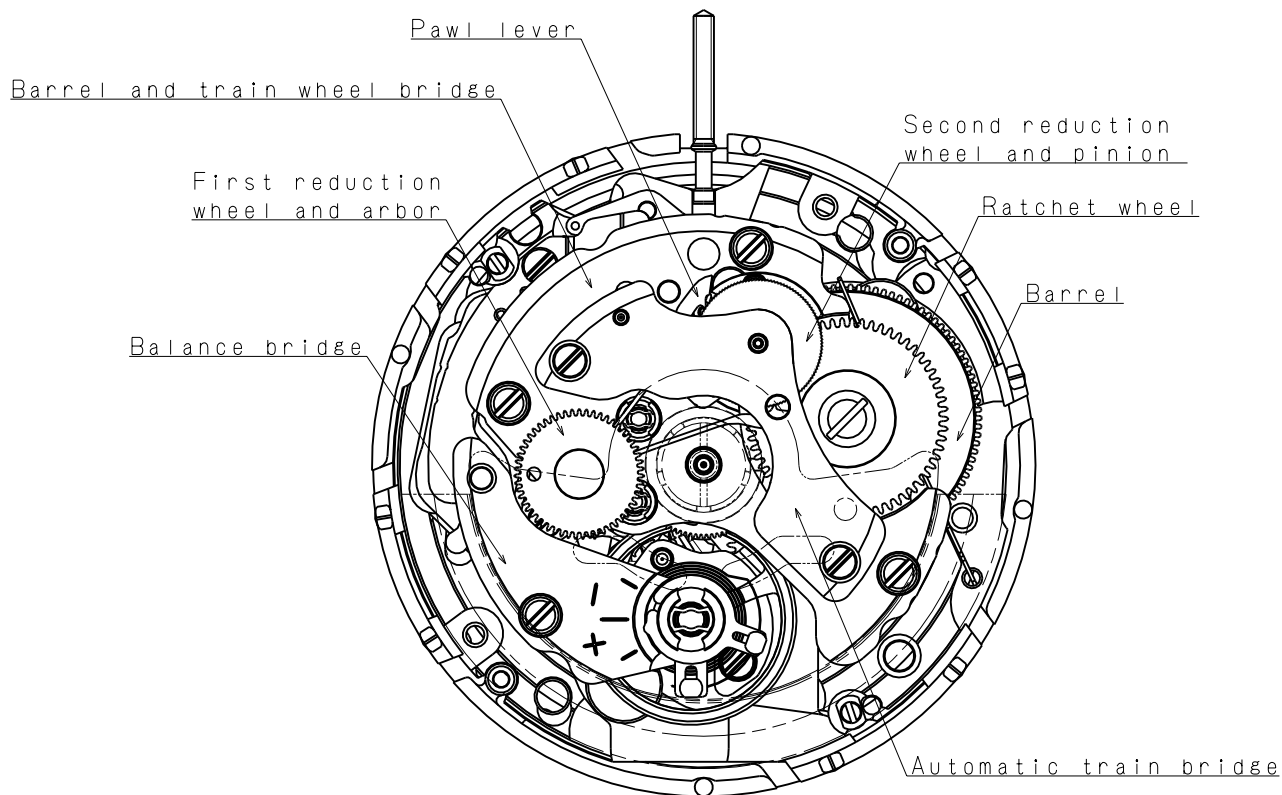
#### 6. FITTING FORCE FOR HANDS

Hour hand : Less than 50 N  
Minute hand : Less than 50 N  
Second hand : Less than 30 N

#### 7. CASING

- The movement is fixed by dial holding spacer
- \*1. Screw type case back is required
  - \*2. Non-corresponding with Diver's watch

**\* All specifications are subject to change without notice.**



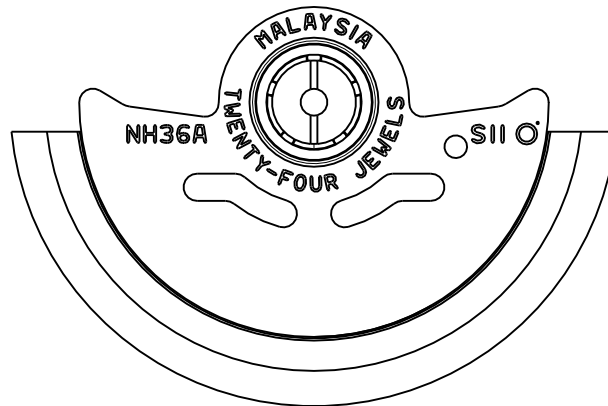
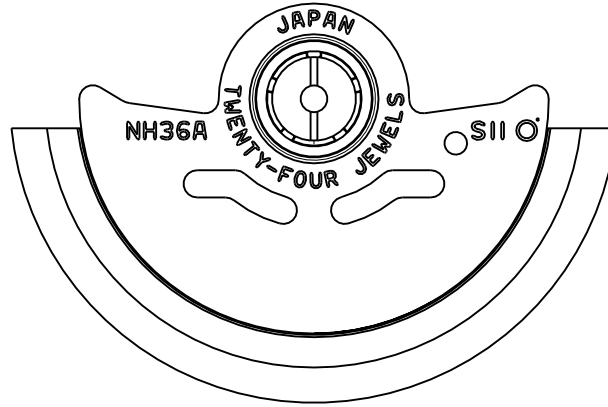
Scale : 3/1

Version : 1

Unit : 1=1/100mm

Oscillating weight

Marking	Country of origin
JAPAN	JAPAN
MALAYSIA	MALAYSIA

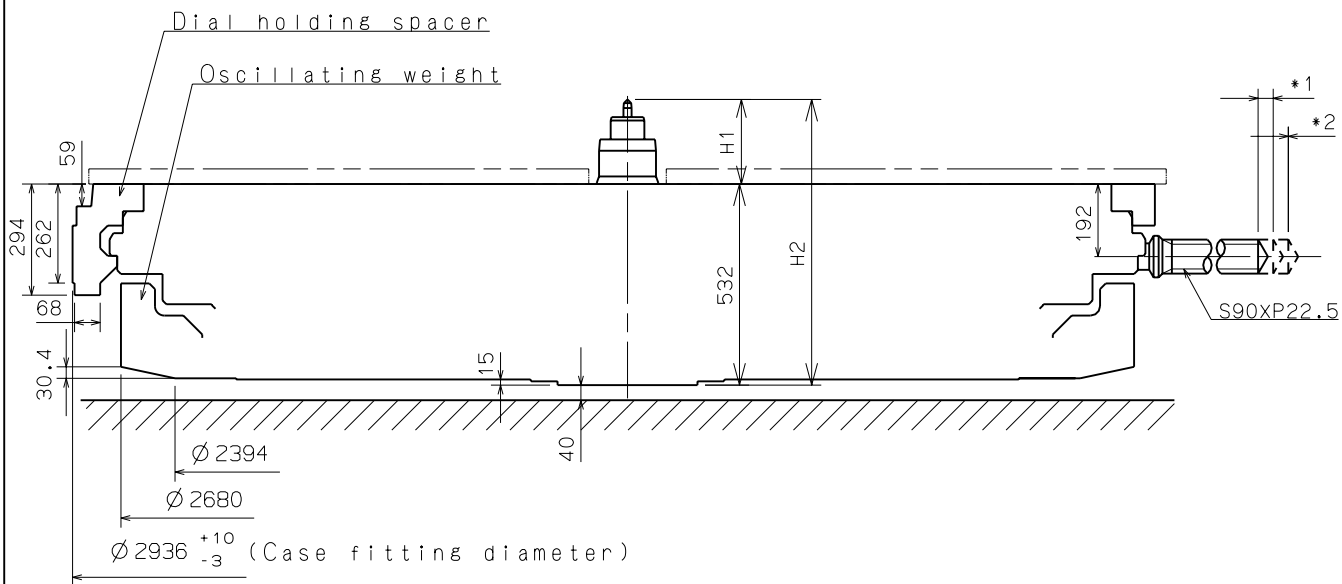


Scale : 3/1  
Unit : 1=1/100mm

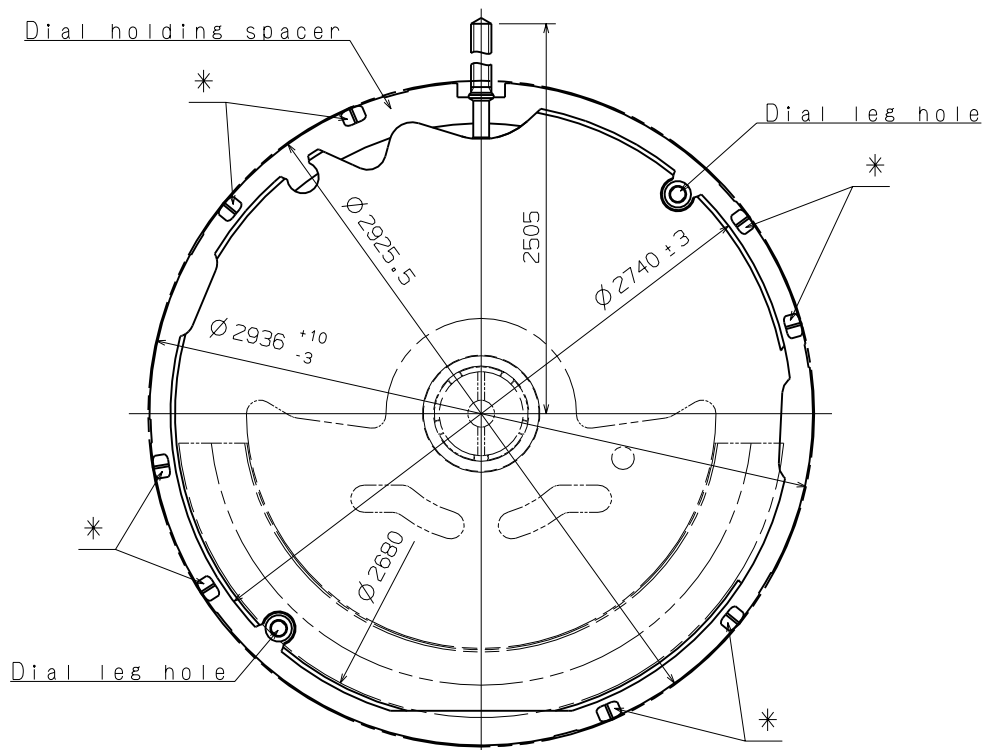
Version: 1

\*1. First pull out stroke 39.9

\*2. Second pull out stroke 40.0



Center post		TYPE M	TYPE L
Maximum height from dial support surface	H1	226.7	266.7
Total height incl. movement	H2	758.7	798.7



Scale = 3/1

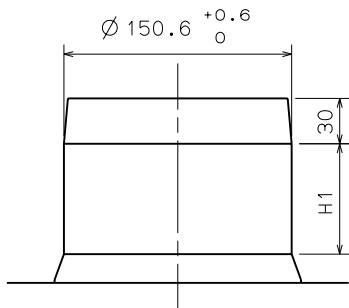
\*Projection to fix movement to case.

Scale : 5/1(3/1)

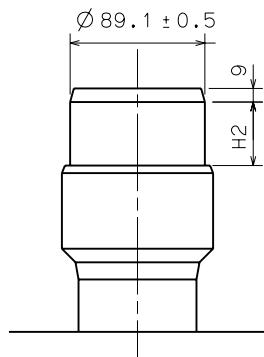
Version:1

Unit : 1=1/100mm

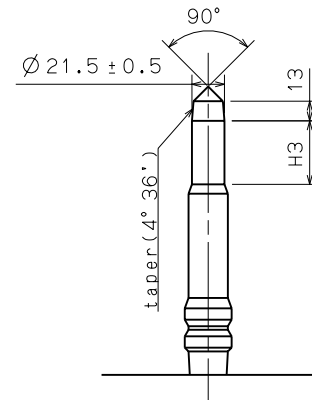
Hour hand unbalance  $\leq 1.50\mu\text{N}\cdot\text{m}$  (150mg·mm)  
 Minute hand unbalance  $\leq 1.25\mu\text{N}\cdot\text{m}$  (125mg·mm)  
 Second hand unbalance  $\leq 0.20\mu\text{N}\cdot\text{m}$  (20mg·mm)



Hour wheel

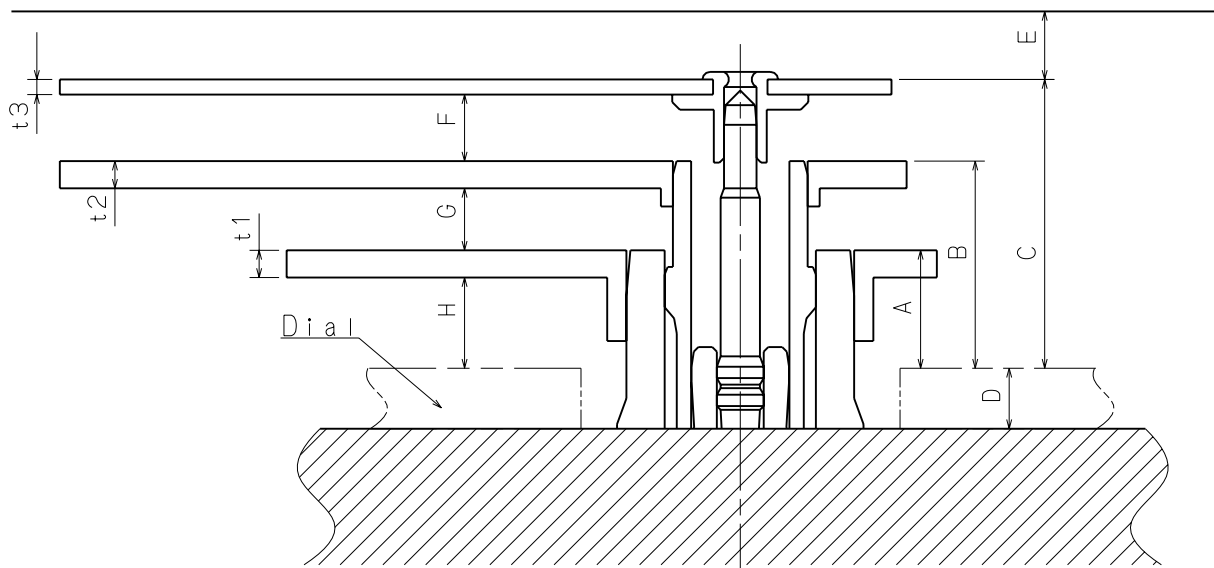


Cannon pinion



Fourth wheel and pinion

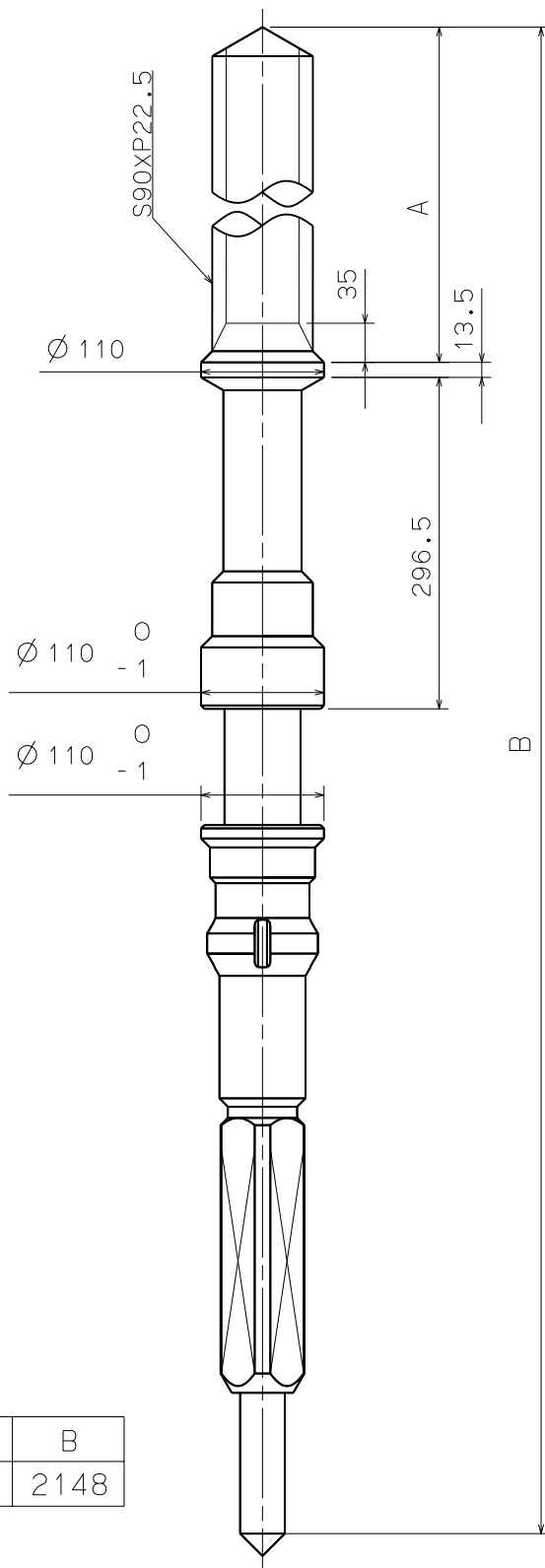
	Part. No.			Dimension		
	Hour wheel	Cannon pinion	Fourth wheel and pinion	H1	H2	H3
TYPE M	0273 183	0225 416	0144 184	68	61	42
TYPE L	0273 185	0225 417	0144 185	108	61	42



	A	B	C	D	E	F	G	H	t1	t2	t3
TYPE M	78	137	191	40	45	44	41	60	18	18	10
TYPE L	118	177	231	40	45	44	41	100	18	18	10

Scale : 20/1  
 Unit : 1=1/100mm

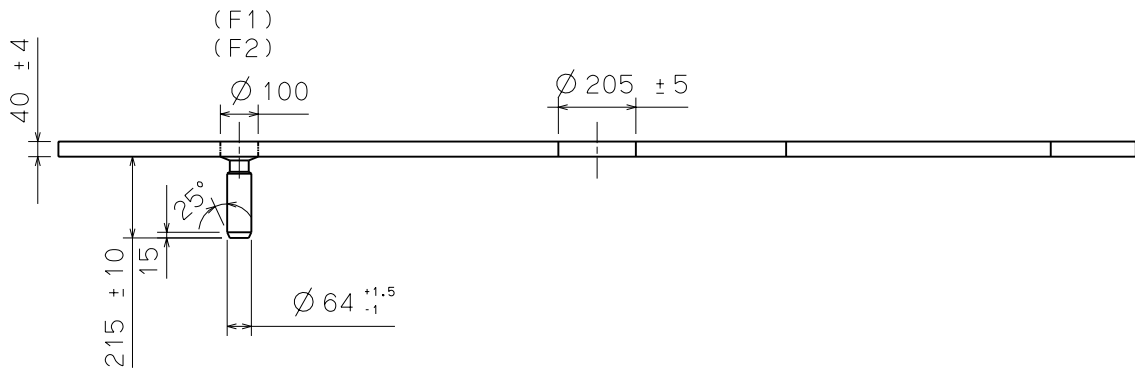
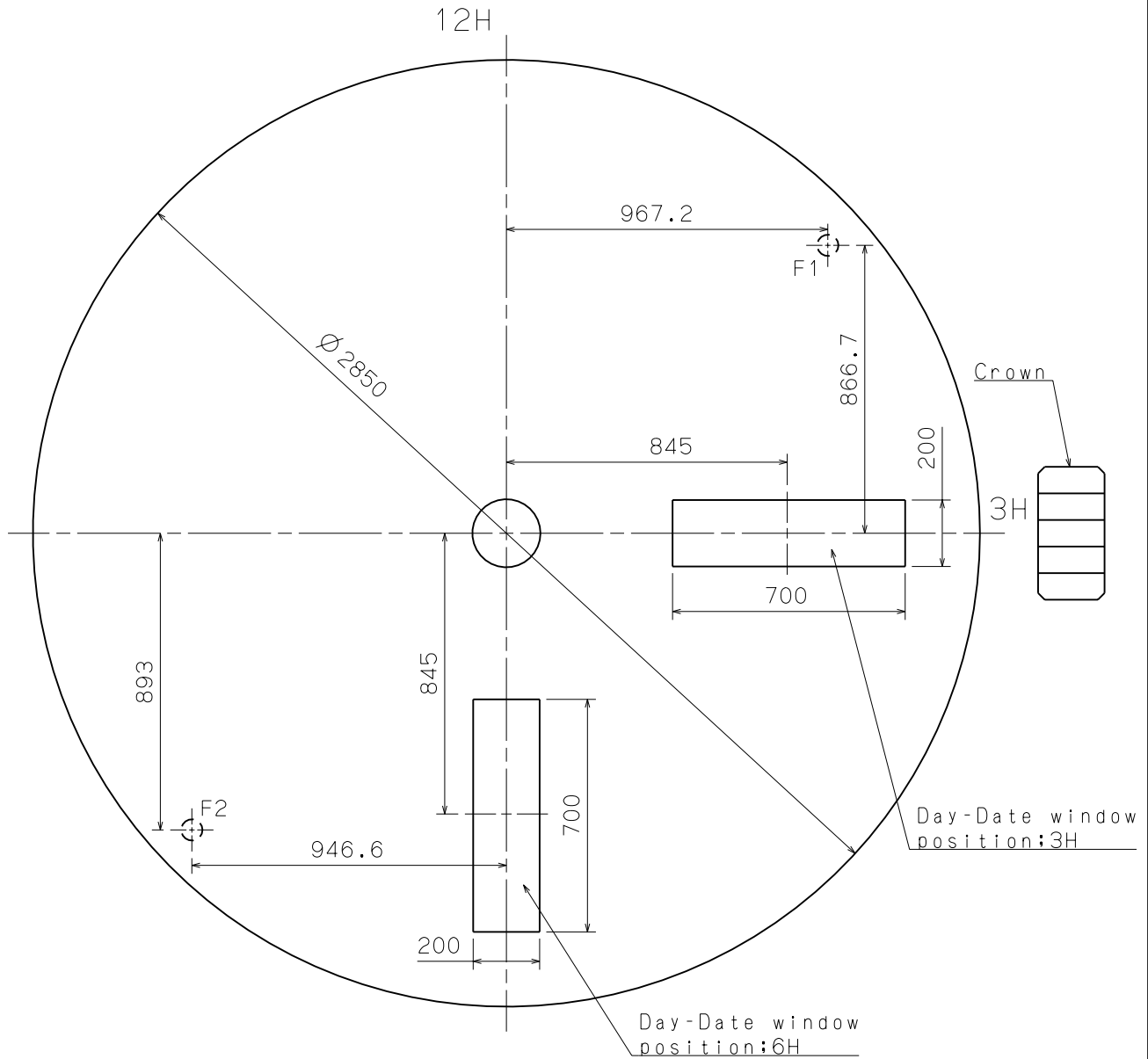
Version : 1



Parts No.	A	B
0351 200	1100	2148

Scale : 15/1  
Unit : 1=1/100mm

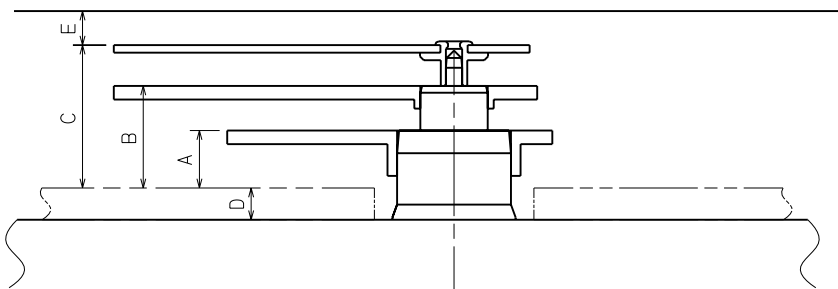
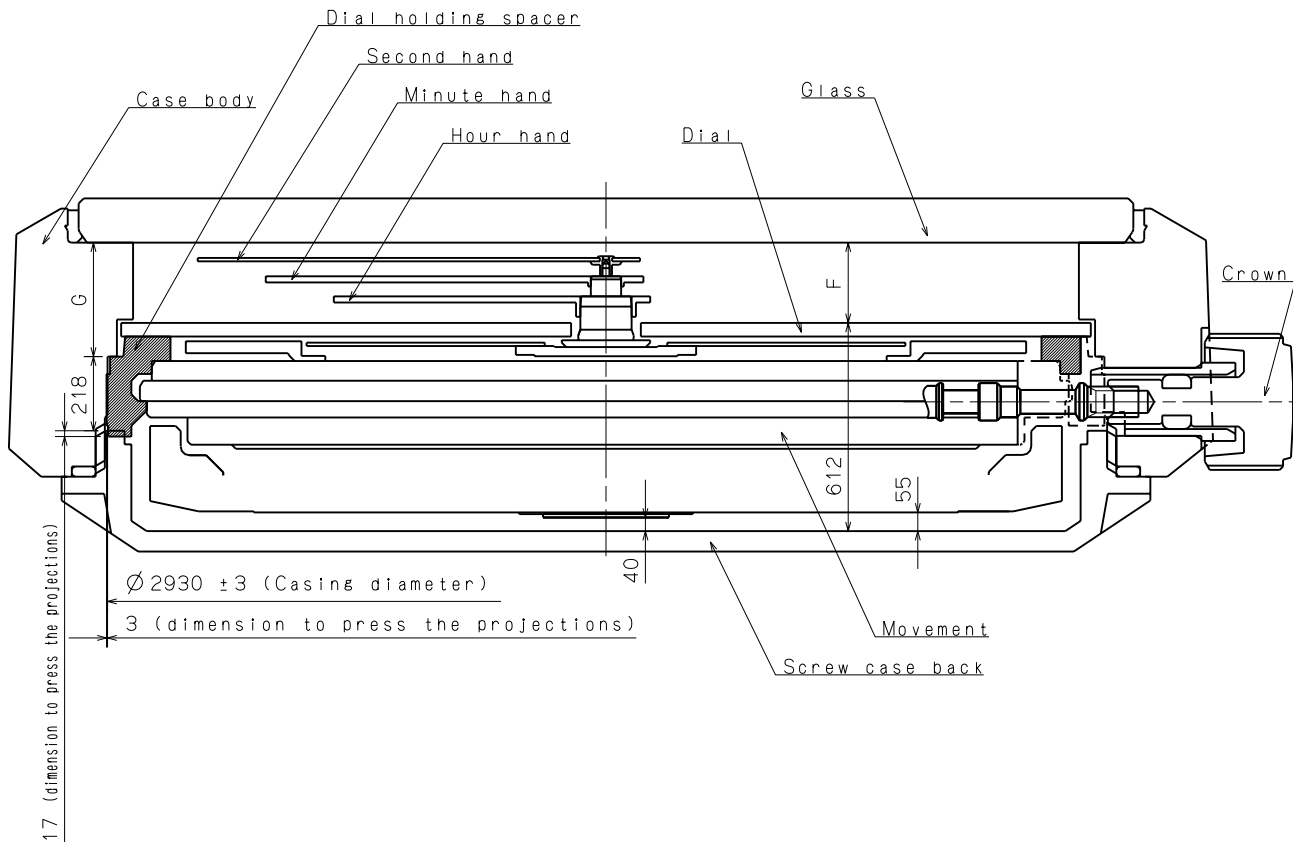
Version:1



Scale : 5/1  
Unit : 1=1/100mm

Version:2



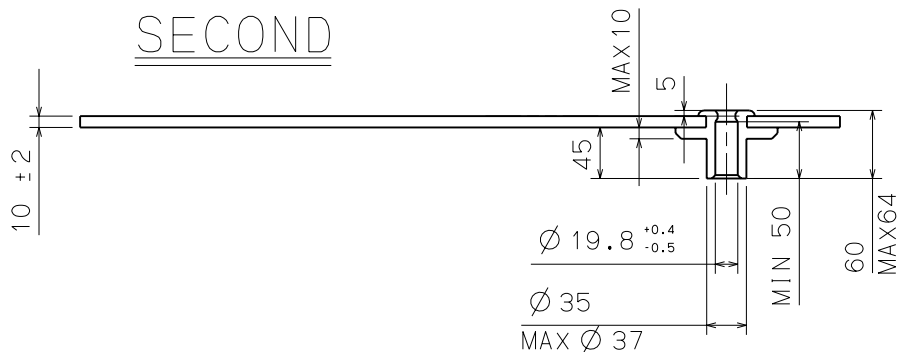


	A	B	C	D	E	F	G
TYPE M	78	137	191	40	45	236	335
TYPE L	118	177	231	40	45	276	375

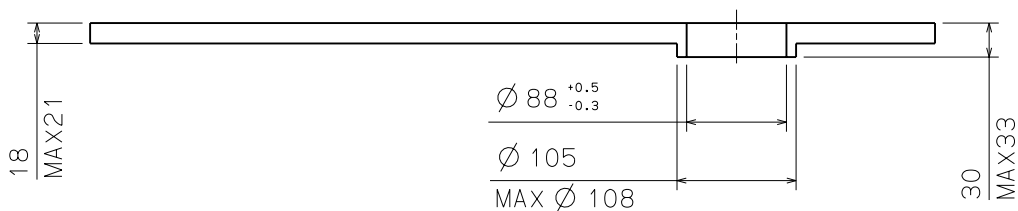
Scale : -  
Unit : 1=1/100mm

Version:1

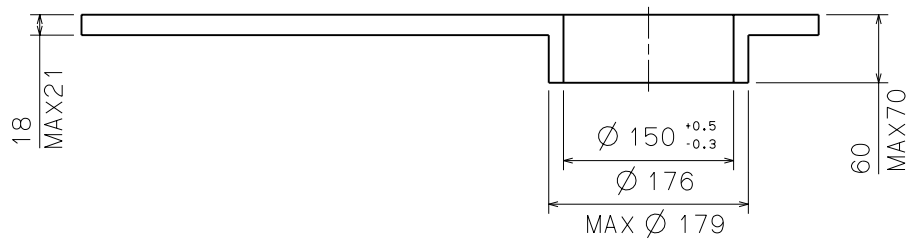
SECOND



MINUTE



HOUR



Scale : -

Unit : 1=1/100mm

Version:1